



HM96-HE-4

Model	Color	CCT / λd	Lumen
HM96-HE-4W24	White	7000 k	144

Features

Module Operating Voltage	DC 24V
Wattage (W/Module)	0,96 W
IP Class	IP66/IP67
Operating Temperature Range	-40 C° ~ +60 C°
Storage Temperature Range	+5 C° ~ +40 C°
Storage Environment Humidity	RH < 60%
Distance (Centre Module/Module)	250 mm.
Viewing Angle	165°
Life Time (temperature at T _c = 75 °C)	80.000h (L70)
Consistent white light	< 3 SDCM
Chain (No. Modules)	40
Bag (No. Modules)	80
Warranty	7 Years *

*See terms and conditions



The new "GEMMA" series includes a wide range of LED Modules for sign lighting. The exclusive lens with prisms, the high efficiency LEDs and low luminous decay, allow to reduce the quantity of modules required per square meter compared to common modules and to illuminate in a homogeneous and efficient way with significant energy savings. The innovative sturdy structure and the facilitated removal of adhesive protection, significantly reduce installation and maintenance costs.

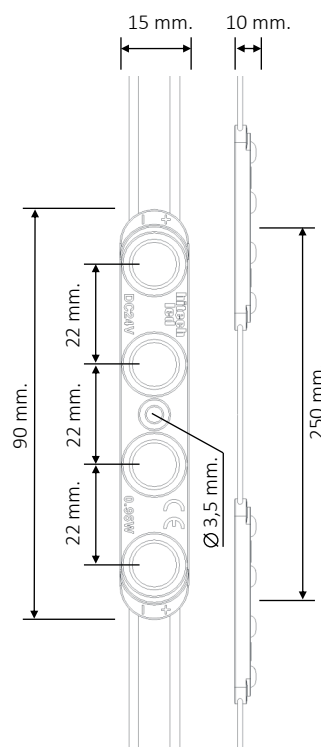
LED Module HM96-HE-3

Applicazioni

- Insegne luminose a basso consumo
- Retro-illuminazione di insegne mono facciali da 80 a 200 mm.
- Lettere scatolate di medie dimensioni
- Applicazioni Architeturali e decorative

Benefits

- High efficiency LED module, 24V power supply, ideal for creating low -power consumption lighted signs
- The new prismatic lens not only optimally diffuse the light, but it minimize the dispersions allowing a conspicuous increasing of the efficiency and luminous homogeneity.
- The 3M VHB adhesive with the special protective film removal tab offers greater security and speed in fixing operations, contributing to cost reduction.
- Consistent white light 3-step MacAdam
- Production date is marked on back of module for traceability



HIGH EFFICIENCY

Electrical Data

Model	Nominal Voltage	Voltage Range	Accidental reverse input voltage protection up to	Nominal wattage per chain	Nominal wattage per module
HM96-HE-4W24	24 VDC	23...25 VDC	25 VDC	38,4 W	0,96 W

Photometrical Data

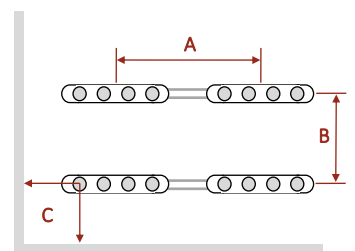
Model	Color	Color Temperature	Color Rendering Index	Typical Luminous Flux	Typical Luminous Efficiency
HM96-HE-4W24	White	7000K ±5%	> 70	144 Lm	150 Lm/W

Coding

Model	Code
HM96-HE-4W24	HTL 000728

Modules Positioning

Light Box Depth	A	B	C
80 mm	160 mm	140 mm	70 mm
100 mm	180 mm	160 mm	80 mm
120 mm	200 mm	180 mm	90 mm
140 mm	220 mm	200 mm	100 mm
150 mm	250 mm	250 mm	120 mm
170 mm	250 mm	270 mm	130 mm
200 mm	250 mm	320 mm	160 mm



The product comply with the following European Standard

<input checked="" type="checkbox"/>	EN 62471: 2008	Photobiological safety of lamps and lamp systems
<input checked="" type="checkbox"/>	EN 62031: 2008+A1: 2013	LED modules for general lighting, Safety specifications
<input checked="" type="checkbox"/>	RoHS2 2011/65/UE	Restriction in the use of hazardous substances in electrical and electronic equipment