



HM55-2

Model	Color	CCT / λd	Lumen
HM55-2CW12	Cool White	8000 k	60
HM55-2W12	White	6500 k	60
HM55-2NW12	Natural White	4000 k	60
HM55-2WW12	Warm white	3000 k	58
HM55-2R12	Red	620/630 nm	22
HM55-2G12	Green	520/530 nm	41
HM55-2B12	Blue	460/470 nm	11

Features

Module Operating Voltage	DC 12V
Wattage	0,55W
IP Class	IP66/IP67
Operating Temperature Range	-40 C° ~ +60 C°
Storage Temperature Range	+5 C° ~ +40 C°
Storage Environment Humidity	RH < 60%
Distance (Centre Module/Module)	150 mm.
Viewing Angle	165°
Life Time (temperature at T _c = 75 °C)	50.000h (L70)
Consistent white light	< 3 SDCM
Chain (No. Modules)	70
Bag (No. Modules)	140
Warranty	5 Years *

*See terms and conditions



The new "GEMMA" series includes a wide range of LED Modules for sign lighting. The exclusive lens with prisms, the high efficiency LEDs and low luminous decay, allow to reduce the quantity of modules required per square meter compared to common modules and to illuminate in a homogeneous and efficient way with significant energy savings. The innovative sturdy structure and the facilitated removal of adhesive protection, significantly reduce installation and maintenance costs.

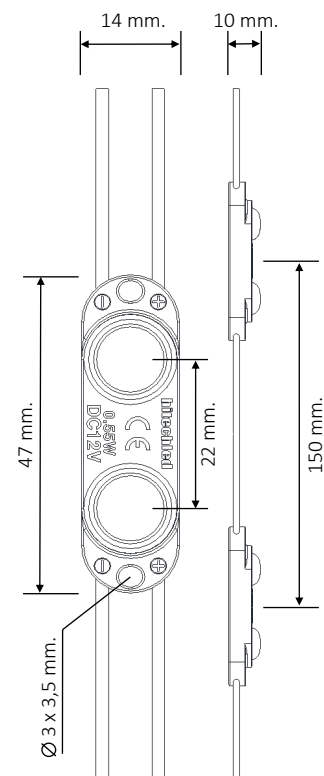
LED Module HM55-2

Applicazioni

- Medium size channel letters illumination
- Backlighting of single sided light boxes, depth 40 to 120 mm.
- Linear lighting
- Architectural and decorative applications

Benefits

- The new prismatic lens not only optimally diffuse the light, but it minimize the dispersions allowing a conspicuous increasing of the efficiency and luminous homogeneity.
- The 3M VHB adhesive with the special protective film removal tab offers greater security and speed in fixing operations, contributing to cost reduction.
- Consistent white light 3-step MacAdam
- Color rendering index Ra: > 80
- Production date is marked on back of module for traceability



Electrical Data

Model	Nominal Voltage	Voltage Range	Accidental reverse input voltage protection up to	Nominal wattage per chain	Nominal wattage per module
HM55-2CW12	12 VDC	11...13 VDC	13 VDC	38,5 W	0,55 W
HM55-2W12	12 VDC	11...13 VDC	13 VDC	38,5 W	0,55 W
HM55-2NW12	12 VDC	11...13 VDC	13 VDC	38,5 W	0,55 W
HM55-2WW12	12 VDC	11...13 VDC	13 VDC	38,5 W	0,55 W
HM55-2R12	12 VDC	11...13 VDC	13 VDC	38,5 W	0,55 W
HM55-2G12	12 VDC	11...13 VDC	13 VDC	38,5 W	0,55 W
HM55-2B12	12 VDC	11...13 VDC	13 VDC	38,5 W	0,55 W

Photometrical Data

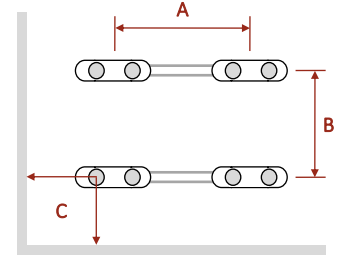
Model	Color	Color Temperature	Color Rendering Index	Typical Luminous Flux	Typical Luminous Efficiency
HM55-2CW12	Cool White	8000K ±5%	> 80	60 Lm	109 Lm/W
HM55-2W12	White	6500K ±5%	> 80	60 Lm	109 Lm/W
HM55-2NW12	Natural White	4000K ±4%	> 80	60 Lm	109 Lm/W
HM55-2WW12	Warm white	3000K ±4%	> 80	55 Lm	100 Lm/W
HM55-2R12	Red	620/630 nm		22 Lm	40 Lm/W
HM55-2G12	Green	520/530 nm		41 Lm	74 Lm/W
HM55-2B12	Blue	460/470 nm		11 Lm	20 Lm/W

Coding

Modello	Codice
HM55-2CW12	HTL 000718
HM55-2W12	HTL 000719
HM55-2NW12	HTL 000720
HM55-2WW12	HTL 000721
HM55-2R12	HTL 000722
HM55-2G12	HTL 000723
HM55-2B12	HTL 000724

Modules Positioning

Light Box Depth	A	B	C
40 mm	60 mm	60 mm	30 mm
50 mm	70 mm	70 mm	35 mm
60 mm	90 mm	90 mm	45 mm
80 mm	120 mm	120 mm	60 mm
90 mm	140 mm	150 mm	70 mm
100 mm	150 mm	160 mm	80 mm
120 mm	150 mm	200 mm	90 mm



The product comply with the following European Standard

<input checked="" type="checkbox"/>	EN 62471: 2008	Photobiological safety of lamps and lamp systems
<input checked="" type="checkbox"/>	EN 62031: 2008+A1: 2013	LED modules for general lighting, Safety specifications
<input checked="" type="checkbox"/>	RoHS2 2011/65/UE	Restriction in the use of hazardous substances in electrical and electronic equipment