

The new "GEMMA" series includes a wide range of LED Modules for sign lighting. The exclusive lens with prisms, the high efficiency LEDs and low luminous decay, allow to reduce the quantity of modules required per square meter compared to common modules and to illuminate in a homogeneous and efficient way with significant energy savings. The innovative sturdy structure and the facilitated removal of adhesive protection, significantly reduce installation and maintenance costs.

LED Module HM150-3

Applicazioni

- Large Size light boxes
- Backlighting of single sided light boxes, depth 120 to 200 mm.
- Luminous walls and ceilings
- Architectural and decorative applications

Benefits

- The new prismatic lens not only optimally diffuse the light, but it minimize the dispersions allowing a conspicuous increasing of the efficiency and luminous homogeneity.
- The 3M VHB adhesive with the special protective film removal tab offers greater security and speed in fixing operations, contributing to cost reduction.
- Consistent white light 3-step MacAdam
- Color rendering index Ra: > 80
- Production date is marked on back of module for traceability



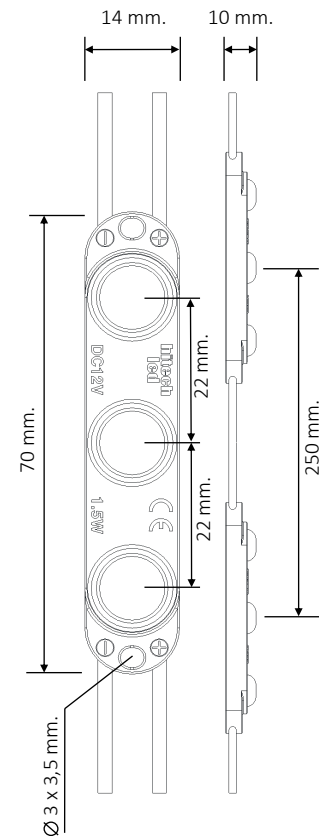
HM150-3

Model	Color	CCT / λd	Lumen
HM150-3CW12	White	8000 k	159
HM150-3W12	White	6500 k	159

Features

Module Operating Voltage	DC 12V
Wattage (W/Module)	1,5 W
IP Class	IP66/IP67
Operating Temperature Range	-40 C° ~ +60 C°
Storage Temperature Range	+5 C° ~ +40 C°
Storage Environment Humidity	RH < 60%
Distance (Centre Module/Module)	250 mm.
Viewing Angle	165°
Life Time (temperature at T _c = 75 °C)	50.000h (L70)
Consistent white light	< 3 SDCM
Chain (No. Modules)	40
Bag (No. Modules)	80
Warranty	5 Years *

*See terms and conditions



Electrical Data

Model	Nominal Voltage	Voltage Range	Accidental reverse input voltage protection up to	Nominal wattage per chain	Nominal wattage per module
HM150-3CW12	12 VDC	11...13 VDC	13 VDC	60 W	1,5 W
HM150-3W12	12 VDC	11...13 VDC	13 VDC	60 W	1,5 W

Photometrical Data

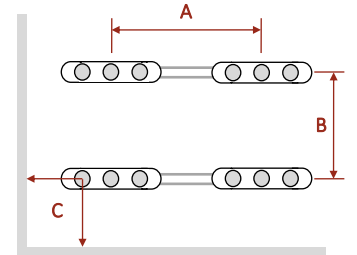
Model	Color	Color Temperature	Color Rendering Index	Typical Luminous Flux	Typical Luminous Efficiency
HM150-3CW12	Cool White	8000K ±5%	> 80	159 Lm	106 Lm/W
HM150-3W12	White	6500K ±5%	> 80	159 Lm	106 Lm/W

Coding

Model	Code
HM150-3CW12	HTL 000729
HM150-3W12	HTL 000725

Modules Positioning

Light Box Depth	A	B	C
120 mm	200 mm	180 mm	90 mm
130 mm	200 mm	200 mm	100 mm
140 mm	220 mm	220 mm	110 mm
150 mm	250 mm	250 mm	130 mm
170 mm	250 mm	270 mm	140 mm
180 mm	250 mm	300 mm	150 mm
200 mm	250 mm	320 mm	160 mm



The product comply with the following European Standard

<input checked="" type="checkbox"/>	EN 62471: 2008	Photobiological safety of lamps and lamp systems
<input checked="" type="checkbox"/>	EN 62031: 2008+A1: 2013	LED modules for general lighting, Safety specifications
<input checked="" type="checkbox"/>	RoHS2 2011/65/UE	Restriction in the use of hazardous substances in electrical and electronic equipment