



HM100-1

Model	Color	CCT / λd	Lu- mens
HM100-1W12	White	6500 k	98

Features

Module Operating Voltage	DC 12V
Wattage (W/Module)	1 W
IP Class	IP66/IP67
Operating Temperature Range	-40 C° ~ +60 C°
Storage Temperature Range	+5 C° ~ +40 C°
Storage Environment Humidity	RH < 60%
Distance (Centre Module/Module)	110 mm.
Viewing Angle	165°
Life Time (temperature at T _c = 75 °C)	50.000h (L70)
Consistent white light	< 3 SDCM
Chain (No. Modules)	50 pcs
Bag (No. Modules)	100 pcs
Warranty	5 Years *

*See terms and conditions



The new "GEMMA" series includes a wide range of LED Modules for sign lighting. The exclusive lens with prisms, the high efficiency LEDs and low luminous decay, allow to reduce the quantity of modules required per square meter compared to common modules and to illuminate in a homogeneous and efficient way with significant energy savings. The innovative sturdy structure and the facilitated removal of adhesive protection, significantly reduce installation and maintenance costs.

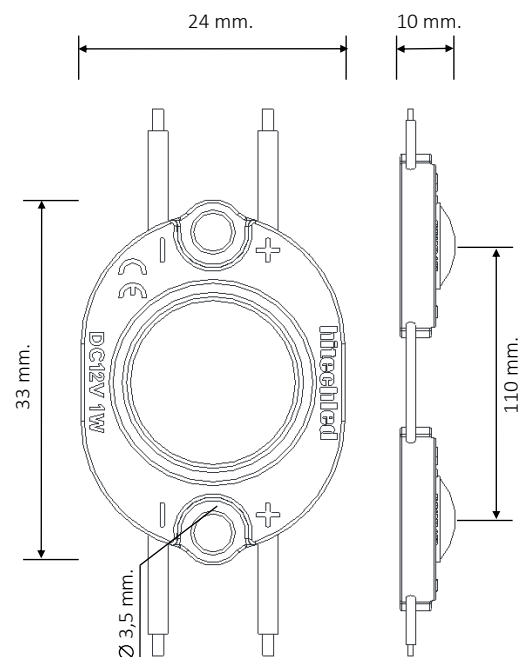
LED Module HM100-1

Applicazioni

- Textile light boxes
- Backlighting of single sided light boxes, depth 40 to 120 mm.
- Luminous walls and ceilings
- Architectural and decorative applications

Benefits

- The new prismatic lens not only optimally diffuse the light, but it minimize the dispersions allowing a conspicuous increasing of the efficiency and luminous homogeneity.
- The 3M VHB adhesive with the special protective film removal tab offers greater security and speed in fixing operations, contributing to cost reduction.
- Consistent white light 3-step MacAdam
- Color rendering index Ra: > 80
- Production date is marked on back of module for traceability



Electrical Data

Model	Nominal Voltage	Voltage Range	Accidental reverse input voltage protection up to	Nominal wattage per chain	Nominal wattage per module
HM100-1W12	12 VDC	11...13 VDC	13 VDC	50 W	1,0 W

Photometrical Data

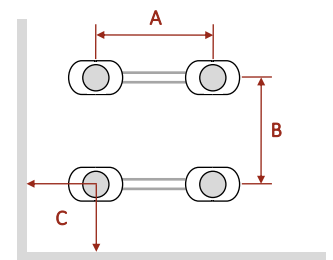
Model	Color	Color Temperature	Color Rendering Index	Typical Luminous Flux	Typical Luminous Efficiency
HM100-1W12	White	6500K ±5%	> 80	98 Lm	98 Lm/W

Coding

Model	Code
HM100-1W12	HTL 000726

Modules Positioning

Light Box Depth	A	B	C
40 mm	80 mm	80 mm	40 mm
50 mm	100 mm	100 mm	50 mm
60 mm	110 mm	120 mm	60 mm
80 mm	110 mm	180 mm	90 mm
90 mm	110 mm	200 mm	100 mm
100 mm	110 mm	240 mm	120 mm
120 mm	110 mm	260 mm	130 mm



Il prodotto è conforme alle seguenti Normative Europee

<input checked="" type="checkbox"/>	EN 62471: 2008	Photobiological safety of lamps and lamp systems
<input checked="" type="checkbox"/>	EN 62031: 2008+A1: 2013	LED modules for general lighting, Safety specifications
<input checked="" type="checkbox"/>	RoHS2 2011/65/UE	Restriction in the use of hazardous substances in electrical and electronic equipment